

# 60x60x60 mm

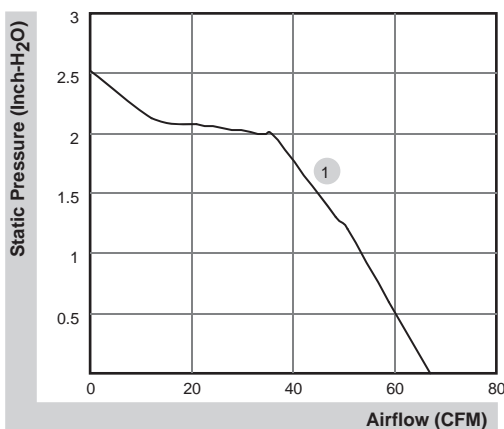
## 67.0 CFM



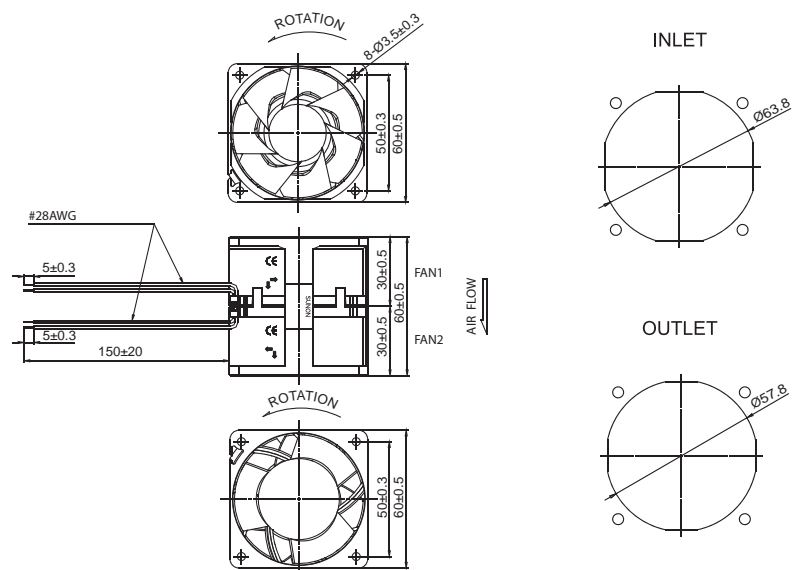
■ Specifications

| Model                        | Bearing      | Rating Voltage | Power Current | Power Consumption | Speed       | Air Flow | Static Pressure         | Noise   | Weight | Curve |
|------------------------------|--------------|----------------|---------------|-------------------|-------------|----------|-------------------------|---------|--------|-------|
|                              | 2BALL Sleeve | (VDC)          | (mA)          | (WATTS)           | (RPM)       | (CFM)    | (Inch-H <sub>2</sub> O) | (dB(A)) | (g)    |       |
| PSD1206PWB1-A (2).Z.GN       | ☉            | 12             | 1690          | 20.3              | 11500/11000 | 67.0     | 2.53                    | 66.3    | 203.0  | 1     |
| PSD1206PWB1-A (2).Z.F.PWM.GN | ☉            | 12             | 1690          | 20.3              | 11500/11000 | 67.0     | 2.53                    | 66.3    | 203.0  | 1     |
| PSD1206PWB1-A (2).Z.R.PWM.GN | ☉            | 12             | 1690          | 20.3              | 11500/11000 | 67.0     | 2.53                    | 66.3    | 203.0  | 1     |

■ Air Flow-Static Pressure Characteristics



■ External dimensions(mm)



\*All model could be customized. Please contact with Sunon Sales.

\*Specifications are subject to change without notice. Please Visit SUNON website at <http://www.sunon.com> for update information.

\*The product doesn't consider to " as Standard ".