

## Fan 3rd Wire Signal

Fan with switching driving circuit designed for rpm measurement:

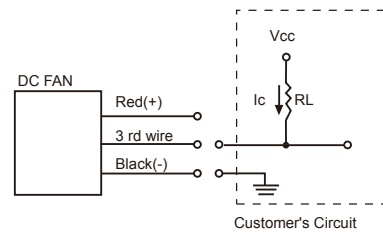
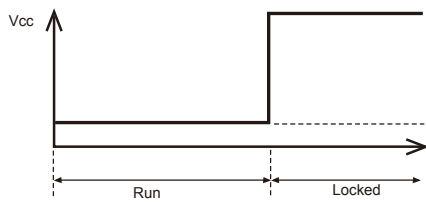
These fan motors have three lead wires: ( +:Red,-:Black,output signal for 3rd wire:Yellow)

Sunon available :

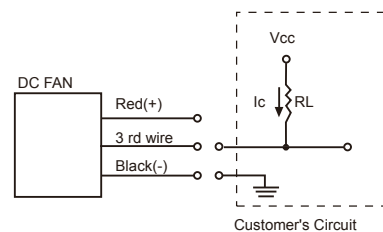
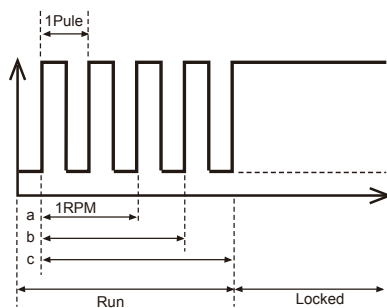
R Type (Rotation Detector)

F Type (Frequency Generator)

### R Type (Rotation Detector)



### F Type (Frequency Generator)



The relationship between rpm & output pules signal from 3rd wire are as follows:

- (a) 1 RPM=2 Pules(4 poles' motor)
- (b) 1 RPM=3 Pules(6 poles' motor)
- (c) 1 RPM=4 Pules(8 poles' motor)

**Notice:**

For 8 poles' motor: normally, 1RPM=4 pules, if frequency divided circuit is impelemented in this motor then 1RPM=2 pules.